



HAVELLS

Its colour reflects
its mood.





about us

Havells India Limited is a leading Fast Moving Electrical Goods (FMEG) Company and a major power distribution equipment manufacturer with a strong pan India presence. Havells enjoys enviable market dominance across a wide spectrum of products, including Industrial & Domestic Circuit Protection Devices, Cables & Wires, Motors, Fans, Modular Switches, Home Appliances, Electric Water Heaters, Power Capacitors, CFL, Luminaires for Domestic, Commercial and Industrial Applications.

'Today, Havells owns some of the most prestigious brands like Crabtree and Standard.' Its network constitutes of 4000 professionals, over 6000 dealers and 40 branches across the country. Its eleven state-of-the-art manufacturing plants in India located at Haridwar, Baddi, Sahibabad, Faridabad, Alwar and Neemrana are manufacturing globally acclaimed products, synonymous with excellence and precision in the electrical industry.

The company pioneered the concept of exclusive brand showroom in the electrical industry with 'Havells Galaxy'. Today over 386 Havells Galaxies across the country are helping customers, both domestic and commercial, to choose from a wide variety of products for different applications. Havells became the first FMEG Company to offer door step service via its initiative 'Havells Connect'. Thanks to the quality of products and quicker service, it has minimum customer complaints and highest customer satisfaction.



India's most modern and integrated manufacturing plant for water heaters:

The water heater plant is the crown jewel in our jewellery box. Located in Neemrana, we pride ourselves on having India's most modern and integrated water heater manufacturing plant with a capacity of producing over 5 lacs water heaters annually. Housing a state-of-the-art testing laboratory and also equipped with technology like an automatic MIG welding, dry powder enamel coating, automatic PUF filling and outer body-rolling for metal range. It also has a computerized online safety testing process that makes sure every Havells water heater is safe and secure for your use.

Innovation at its best

Today, Havells water heaters meet diverse individual needs across the country. Havells pioneered in introducing state-of-the-art, "Adonia" water heater with first ever color changing LED indicating change in temperature. It is all set to become India's revolutionary energy efficient water heater.



Press Shop

- Automatic Hydraulic Presses for deep drawing of Steel sheets for making end covers of Tanks
- Automatic Robots for loading and unloading of press machines
- Automatic System ensures high productivity and consistency in parts



Welding Shop

- Best technologies from Japan ensure fool proof welding joints for years of trouble free service
- Welding of end caps and shells in an automatic MIG / Plasma welding line
- Each welded tank is tested for leakage at high pressure



Automatic outer body rolling

- Most advanced outer body rolling with seamless welding system
- CNC controlled automatic punching machine
- Special purpose necking machine for precise bending
- State-of-the-art fully integrated pre-treatment and paint system



Feroglas technology

- Fully automatic shot blasting machine to remove impurities and oxides
- Swiss made fully automatic dry Feroglas coating machine
- Baking of coated tanks in PLC controlled, gas fired furnace for fusion of glass and 'steel, ensuring longer life.'



Spread the warmth of your love

With Havells Storage & Instantaneous electric water heaters



HAVELLS

Why Havells Water Heaters?

Water heaters that understand you.

At Havells we believe in creating technology that makes a difference and our products aim at making your life easier and more comfortable. This philosophy is what makes our products the best-in-class compared to the many others in the market.

You should not be made to choose between convenience and performance. This is why our water heaters come equipped with temperature sensitive color changing LED indicators and an 'Incoloy 800' glass coated heating element which ensures superior performance and convenience to you.

These innovative features, which are designed keeping you in mind, ensure that Havells water heaters never come up short. Equipped with India's first integrated shock safe plug that cuts power in case of any current leakage along with superior Feroglas technology, that protects the inner tank of your water heater from corrosion and rust. We believe our products are the right choice for all your needs.



Feroglas coating inner container

- A) Made of ultra thick super cold rolled steel plates
- B) Provides superior corrosion resistance and 'anti-rust property' resulting in longer life compared to standard inner container designs
- C) Tough enough to withstand high pressure rating up to 8 bars



Incoloy glass coated heating element

Incoloy glass coated heating element offers superior heating performance with its excellent resistance to both oxidation and carbonization at high temperature setting. Also resists corrosion against extreme and hard water conditions thus extending life span of heating elements with minimum energy loss.



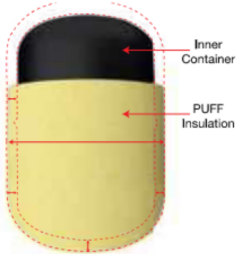
Anode rod protects tank from corrosion

The tank has an anode rod with a stainless steel core that is designed to protect the tank from corrosive elements. The system uses special catalyst action to fight the corrosive elements which in turn prolongs the life of the water heater.



Shock safe plug (Available in select models)

India's first integrated shock safe plug is designed to prevent injury to humans due to electric shocks, the plug will cut off the power immediately in case of any current leakage



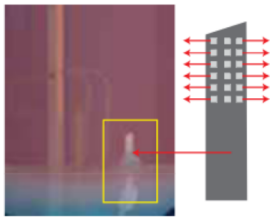
High density PUF insulation

CFC free thicker PUF insulation offers complete protection against radiant heat loss, reduces energy consumption and provides higher energy efficiency



0.8 MPa high working pressure

Suitable for high rise buildings and pressure pump applications. The multi function valve prevents pressure to increase beyond 8 Bar



Whirlflow technology

It avoids direct contact between cold and hot water flow for a faster heating and optimized energy saving effecting 20% more hot water output



Multi function safety valve

Protects tank from internal & external pressure build up.



Water Resistance and Splash Proof (IPX-4)

Ensures high level of protection for electrical parts from water splashing

Water Heater Selection Guide



Kitchen

1 to 10 L
Instanio, Opal EC
Puro Plus



Bathroom

15 L & Above
(A) Space is no constraint
Adonia, Puro Plus, Senzo
& Monza EC
(B) Space is constraint
Monza Slim, Fino H



Shower

35 L & Above
Monza Turbo & Monza EC

Multi outlet Applications

50 L & Above (Senzo)



Wash Basin

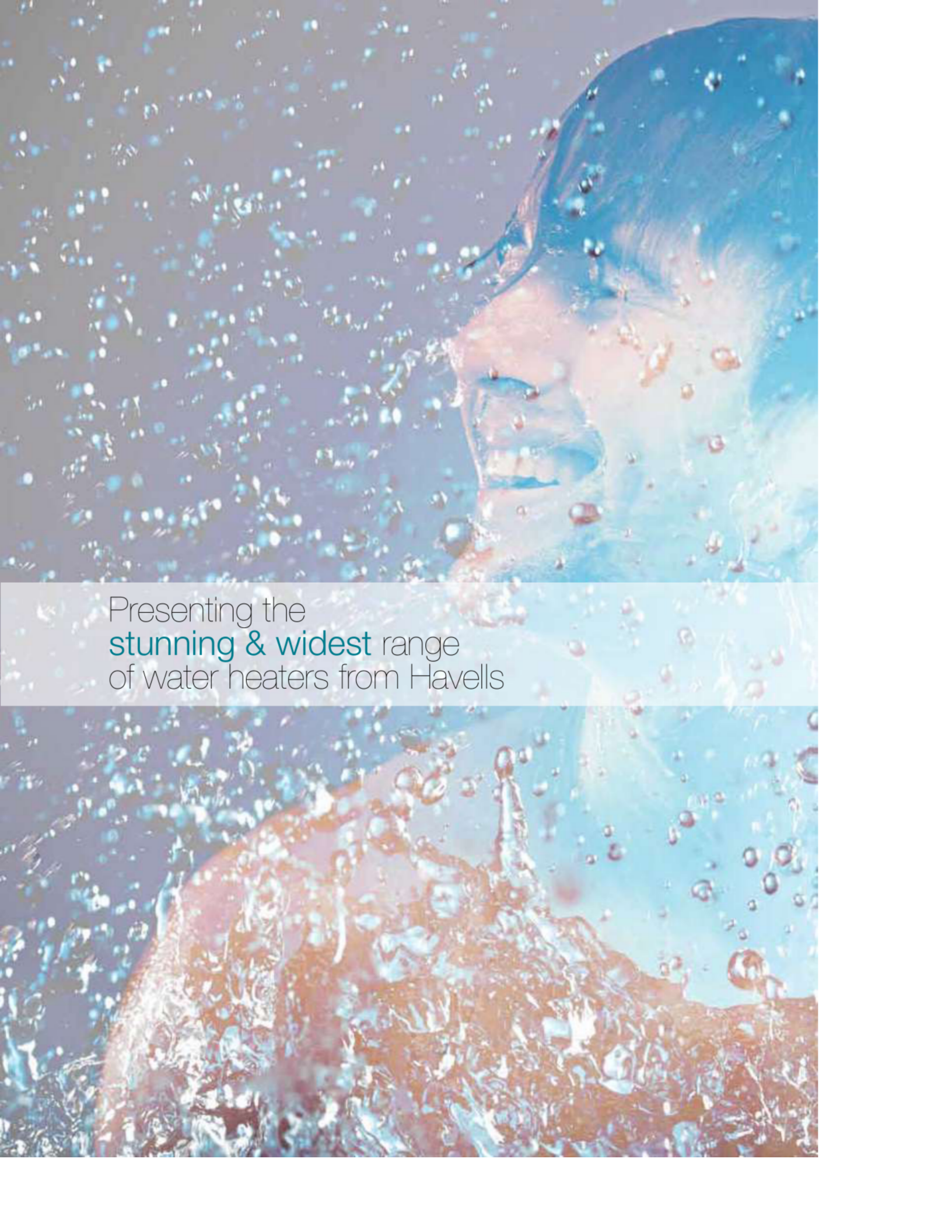


Bathroom



Kitchen Sink





Presenting the
stunning & widest range
of water heaters from Havells



Adonia Digital

Capacity : 15 L & 25 L
Color : White



Features:



Temp. sensitive LED indicators



Feather touch control panel



Shock Safe Plug



Ferglas Technology



PUF insulation



Incoloy glass coated heating element



Anode rod



0.8 MPa high working pressure



Whirlflow technology



Multi functional safety valve

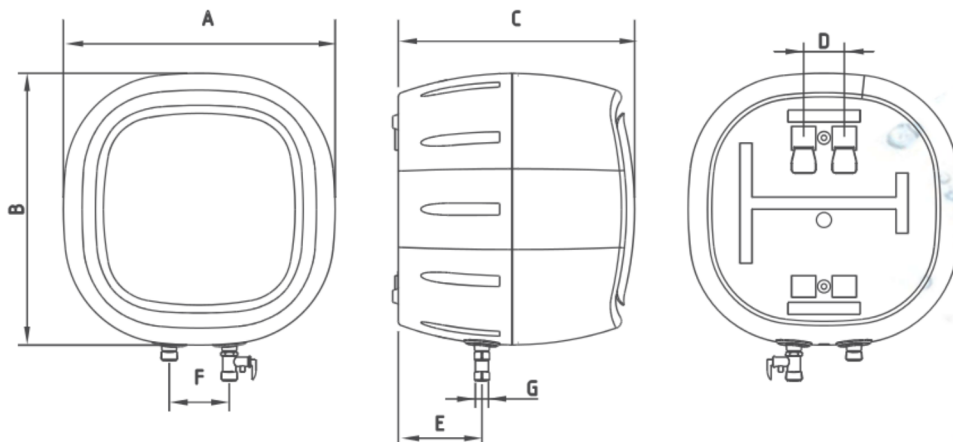


IPX-4



Warranty

Technical Dimensions: (in mm)



| Model | A | B | C | D | E | F | G |
|---------------------|-----|-----|-----|------|-----|-----|-------|
| Adonia Digital 15 L | 390 | 390 | 358 | 67.6 | 100 | 100 | G1/2" |
| Adonia Digital 25 L | 453 | 453 | 394 | 67.6 | 100 | 100 | G1/2" |



Adonia

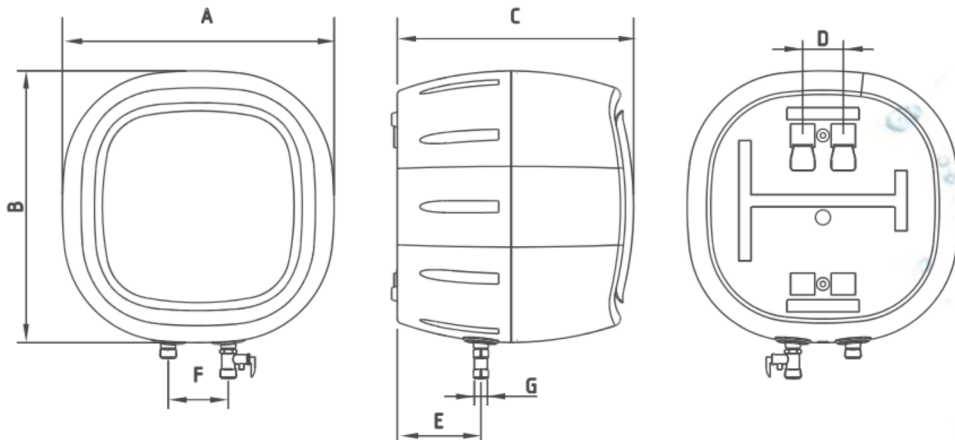
Capacity : 10 L, 15 L & 25 L
 Color : White



Features:

- Temp. sensitive LED indicators
- Shock Safe Plug
- Feroglas Technology
- PUF insulation
- Incoloy glass coated heating element
- Anode rod
- Adjustable knob for temp setting
- 0.8 MPa high working pressure
- Whirlflow technology
- Multi functional safety valve
- IPX-4
- Warranty

Technical Dimensions: (in mm)



| Model | A | B | C | D | E | F | G |
|-------------|-----|-----|-----|------|-----|-----|-------|
| Adonia 10 L | 390 | 390 | 319 | 67.6 | 100 | 100 | G1/2" |
| Adonia 15 L | 390 | 390 | 358 | 67.6 | 100 | 100 | G1/2" |
| Adonia 25 L | 453 | 453 | 394 | 67.6 | 100 | 100 | G1/2" |



Puro Turbo

Capacity : 15 L & 25 L
 Colors : White, Ivory



Features:



Multiple heating options



Shock safe plug



Ferroglass Technology



PUF insulation



Incoloy glass coated heating element



Anode rod



Adjustable knob for temp setting



0.8 MPa high working pressure



Whirlflow technology



Multi functional safety valve

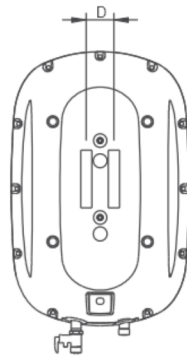
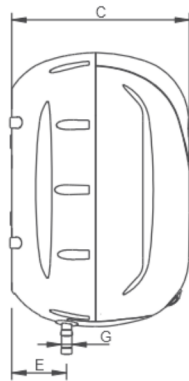
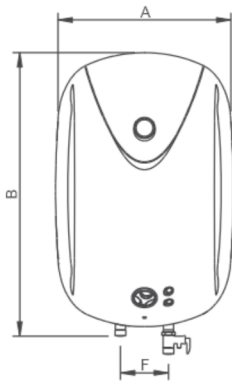


IPX-4



Warranty

Technical Dimensions: (in mm)



| Model | A | B | C | D | E | F | G |
|-----------------|-----|-----|-----|----|-----|-----|-------|
| Puro Turbo 15 L | 320 | 510 | 319 | 62 | 95 | 100 | G1/2" |
| Puro Turbo 25 L | 385 | 580 | 385 | 62 | 108 | 100 | G1/2" |





Puro Plus

Capacity : 10 L, 15 L & 25 L
 Colors : White, Ivory



Features:



Shock Safe Plug



Feroglas Technology



PUF insulation



Incoloy glass coated heating element



Anode rod



Adjustable knob for temp setting



0.8 MPa high working pressure



Whirflow technology



Multi functional safety valve

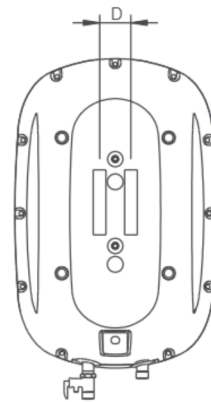
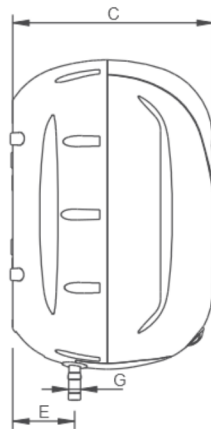
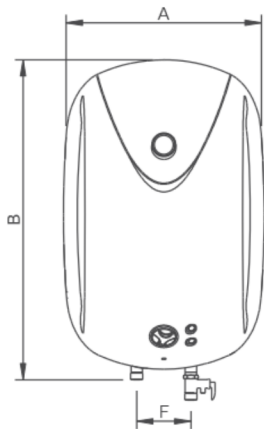


IPX-4



Warranty

Technical Dimensions: (in mm)



| Model | A | B | C | D | E | F | G |
|----------------|-----|-----|-----|----|-----|-----|-------|
| Puro Plus 10 L | 319 | 486 | 305 | 67 | 86 | 110 | G1/2" |
| Puro Plus 15 L | 320 | 510 | 319 | 62 | 95 | 100 | G1/2" |
| Puro Plus 25 L | 385 | 580 | 385 | 62 | 108 | 100 | G1/2" |

HAVELLS



Monza Turbo

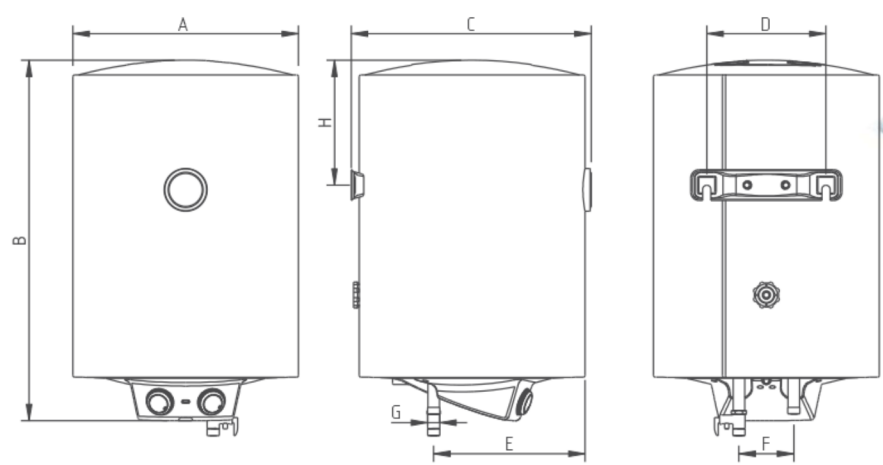
Capacity : 35 L & 50 L
Color : White



Features:

- Multiple heating options
- Feroglas Technology
- PUF insulation
- Incoloy glass coated heating element
- Anode rod
- Adjustable knob for temp setting
- 0.8 MPa high working pressure
- Whirlflow technology
- Multi functional safety valve
- IPX-4
- Warranty

Technical Dimensions: (in mm)



| Model | A | B | C | D | E | F | G | H |
|------------------|-----|-----|-----|-----|-----|-----|-------|-----|
| Monza Turbo 35 L | 410 | 657 | 437 | 217 | 155 | 100 | G1/2" | 232 |
| Monza Turbo 50 L | 410 | 825 | 437 | 217 | 155 | 100 | G1/2" | 232 |

